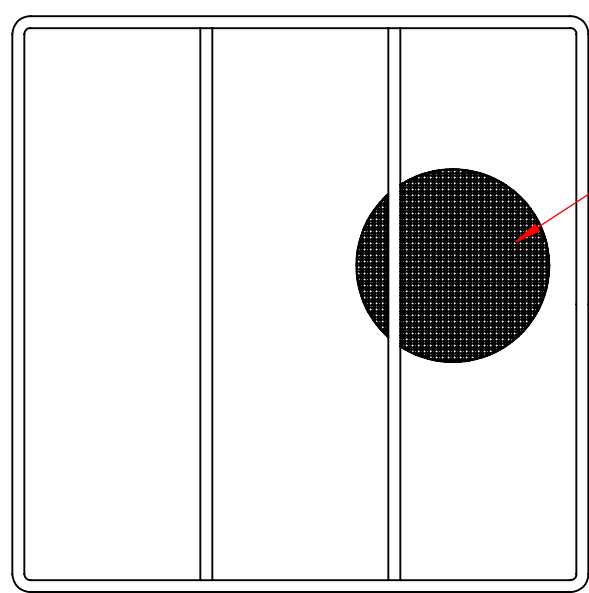
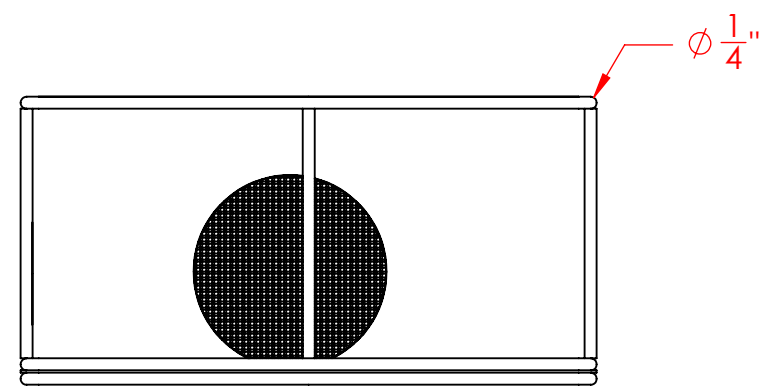
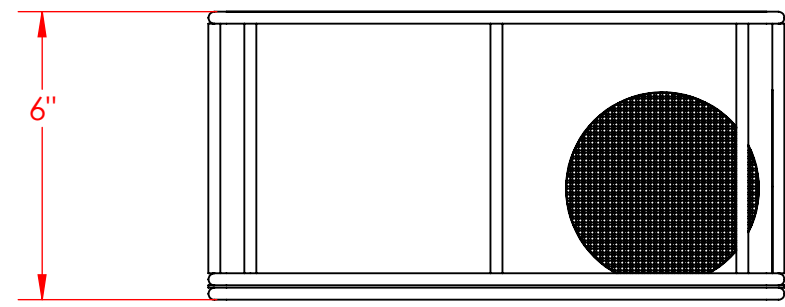
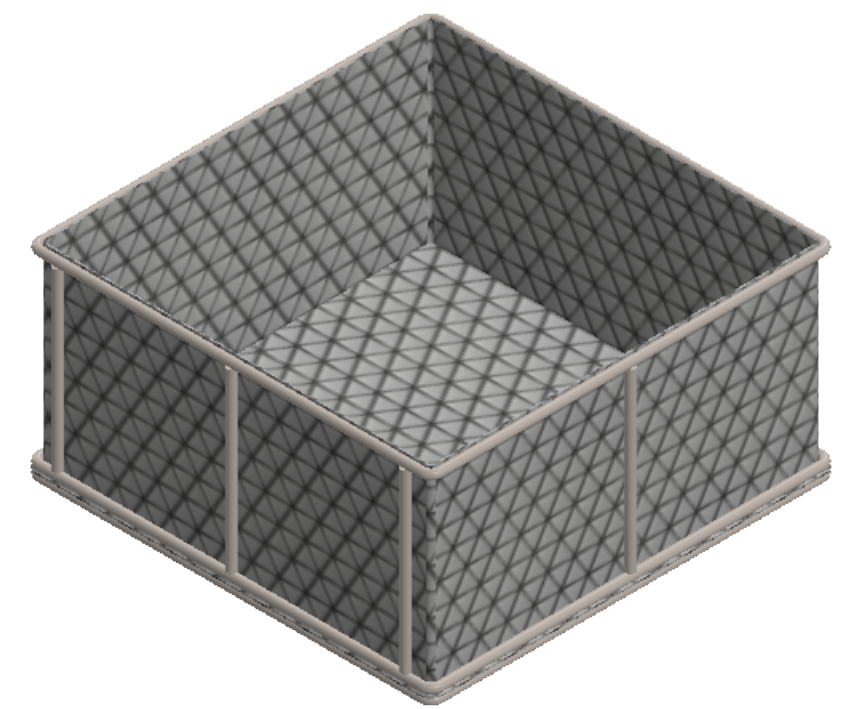
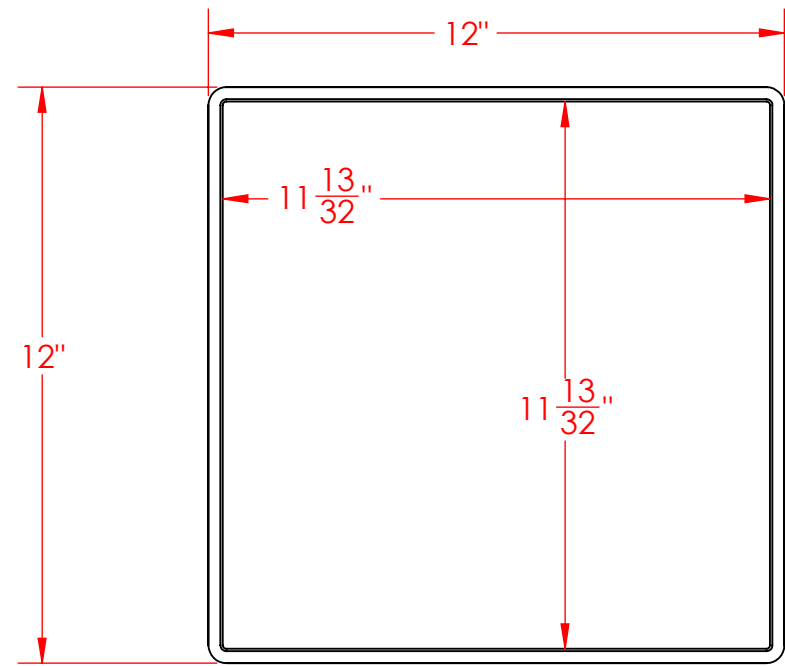


8 7 6 5 4 3 2 1

D  
C  
B  
A

D  
C  
B  
A



Lined Bottom and Sides with  
8 Mesh x .047" Woven Wire  
(.078" Openings, 39% Open Area)

**PROPRIETARY AND CONFIDENTIAL**  
THE INFORMATION CONTAINED IN THIS DRAWING IS THE SOLE PROPERTY OF THREE M TOOL. ANY REPRODUCTION IN PART OR AS A WHOLE WITHOUT THE WRITTEN PERMISSION OF THREE M TOOL IS PROHIBITED.

UNLESS OTHERWISE SPECIFIED:	
DIMENSIONS ARE IN INCHES	
TOLERANCES:	
FRACTIONAL	$\pm 1/16$ "
ANGULAR	$\pm 5$ DEG.
TWO PLACE DECIMAL	$\pm 0.03$
THREE PLACE DECIMAL	$\pm 0.015$
EST WGT	6.3 lbs.
MATERIAL	304 Stainless Steel
FINISH	Natural
DO NOT SCALE DRAWING	

**Rectangular Wire Mesh Basket:**  
12Lx12Wx6H, 304 SS, 1/4 Rod  
Frame, No Handles, Mesh: 8 x .047

SIZE **B** DWG. NO. TMT-120120060-N08S

SCALE: 1:4

SHEET 1 OF 1

8 7 6 5 4 3 2 1